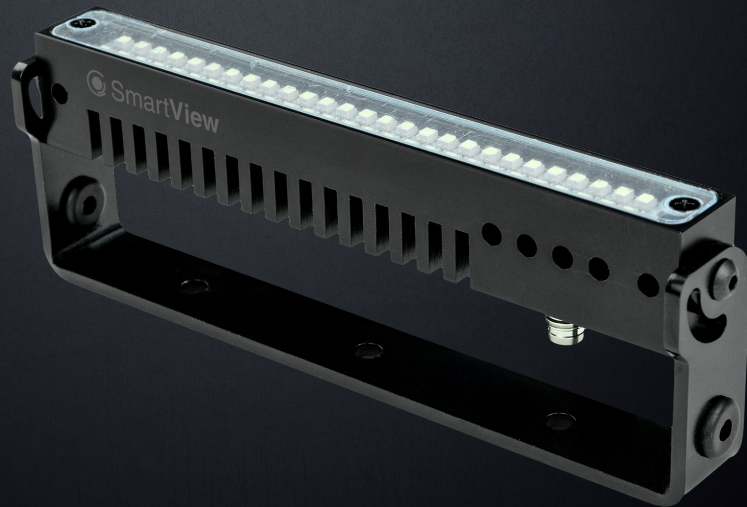


# HIGH POWER BAR LIGHT

## LL-130

High Power series illumination is designed for intense lighting applications. This series have 2 lines of high-power LED while staying compact in size.



HOMOGENOUS LIGHT FIELD

UNIVERSAL MOUNTING

EXCEPTIONAL ILLUMINATION POWER

## LIGHT OPERATING MODES

### PERMANENT ILLUMINATION MODE

The light is designed for both the permanent and light-triggering mode. For permanent illumination bring the voltage of 10-24 V to the pin number 4 (black wire). The light is ON during the time when the 24 V EN signal is activated. Use a PCL, camera or another binary signal source. For the light intensity control, please see the text bellow.

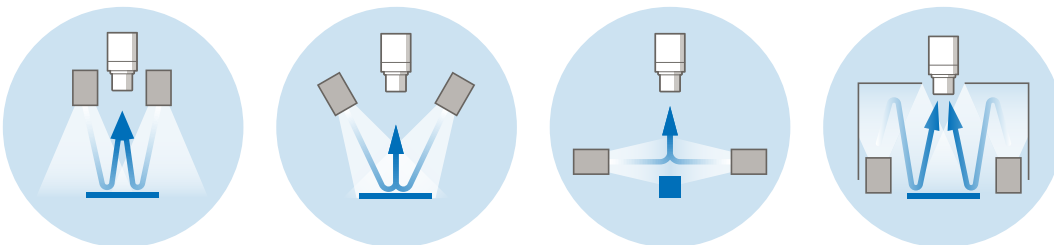
### LIGHT TRIGGERING MODE

Light triggering mode saves energy and extends the lifetime of the light. Trigger operation mode is recommended when a parallel operation of 2 or more lights might affect the quality of the acquired image. To start using a triggering mode, bring the pin number 4 (black wire) to a 10-24 V signal. The light is ON when a voltage of 24 V is present at pin number 4 then. Use a PCL, camera, or another binary signal source for triggering. For the light intensity control, please see the text bellow.

### LIGHT SOURCE INTENSITY REGULATION

The light intensity might be regulated by an analogue voltage, PWM signal or an external controller. In case of using an analogue signal, the light intensity might be regulated in a linear way at a pin number 4 by the voltage span of 2.7 -10 V. Bringing a voltage of 10-24 V to the pin number 4, the light works at its maximum intensity. The maximum PWM frequency is  $\leq 40$  kHz.

## WAYS OF USE



## ORDERING CODE

example of the ordering code

LL - 130 **B** 120

Linear Light    Active Area    Wavelength    LED Beam Angle

## CONFIGURATION


Model	Wavelength [nm]	Active Area [mm]	LED Beam Angle [°]
LL-130W	White	130 x 15	120
LL-130IR	850	130 x 15	50
LL-130R	633	130 x 15	60
LL-130G	525	130 x 15	120
LL-130B	470	130 x 15	120

## ELECTRIC PARAMETERS

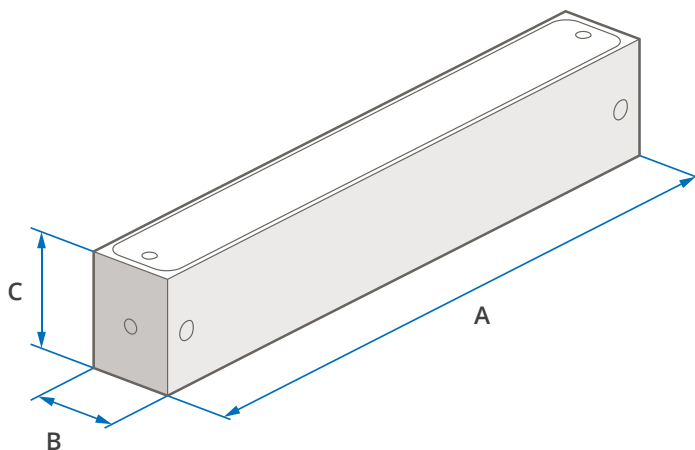
Model	LL-130W	LL-130IR	LL-130R	LL-130G	LL-130B
$U_n$ Voltage Span	22 - 28 V	22 - 28 V	22 - 28 V	22 - 28 V	22 - 28 V
$U_{jm}$ Nominal Voltage	24 V DC	24 V DC	24 V DC	24 V DC	24 V DC
$I_{jm}$ Nominal Current	300 mA	285 mA	285 mA	300 mA	300 mA
P Input	7.2 W	6.8 W	6.8 W	7.2 W	7.2 W
$U_{trig}$ Trigger Voltage	$\geq 10 - 24$ V <sup>2</sup>	$U_{trig}$ Trigger Current	2.3 mA <sup>2</sup>		
$U_{EN}$ Analogue Dimming	$\geq 2,7 .. \leq 10$ V <sup>2</sup>	$I_{EN}$ PWM Dimming	$> 10$ V .. $\leq 24$ V <sup>1</sup>		

<sup>1</sup> PWM maximal rate is  $\leq 10$  kHz    <sup>2</sup> EN (Enable) trigger signal values, M8 connector - pin number 4

## DIMENSIONS & WEIGHT

<b>A</b> Length [mm]	150
<b>B</b> Width [mm]	18
<b>C</b> Height [mm]	24
 Weight [g]	231

**i** For more details please see our 2D drawings.

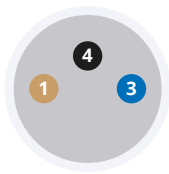


## TECHNICAL DATA

IP Category: <b>IP50</b>	Protection Category: <b>III</b>	Ambient Temperature: <b>-20 - +40 °C</b>	Isolation Resistance: <b>500 V</b>	Housing Material: <b>Aluminium alloy</b>
--------------------------	---------------------------------	--	------------------------------------	--

## CONNECTOR M8-3PIN ASSIGNMENT

light connector front view



1 Brown + +24 V

3 Blue - 0 V

4 Black ● ENABLE

...

4 ● ENABLE

A permanent lighting or trigger signal (10-24 V)

B light intensity regulation: Analogue signal 2.7-10 V or PWM  $\leq$  40 kHz

## ACCESSORIES

✓ Straight Cable M8-3PIN (5 m)

✓ Diffusion glass of 67-68% transparency

## OPTIONAL ACCESSORIES

+ Angular Cable M8-3PIN (5 m)

+ Diffusion glass of 36-38% and 48-50% transparency

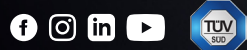
+ Light Polarization

+ Controller Smart Light CT-SL4D

+ Controller CM-01

 SmartView

**YOUR  
VISION  
PARTNER**



### COMPANY OFFICE

Smart View s.r.o.  
Nivy 313  
765 02 Otrokovice  
Česká republika

+420 601 575 797  
+420 602 457 497

info@smartview.cz  
www.smartview.cz

### OUR SALES PARTNERS SLOVAKIA

MTS, spol. s r.o.  
Krivá 53  
027 55 Krivá  
Slovensko

+421 43 5819 111

mts@mts.sk  
www.mts.sk