

# RGB SPOT LIGHT

SP-35

Fits altering or low contrast applications. Powerful illumination for unstable object surface colouring.



DIGITAL INPUTS

HOMOGENOUS ILLUMINATION OUTPUT FLUX

DIGITAL AND ANALOGUE RGB FUNCTION CONTROL

INTEGRATED DISPLAY FOR QUICK OPERATING MODE & COLOUR SET-UP



## LIGHT OPERATING MODES

Connect the **Power Supply Connector** of the light to a power supply source at first (applies to all below-mentioned operating modes). Apply the voltage of **+24 V** to pin number **1** (brown wire) and **0 V** to pin number **3** (blue wire).

### PERMANENT ILLUMINATION MODE

For permanent illumination bring the voltage + 24 V to one of the pins numbers 1, 3 or 4 of the Digital and Analogue Input Connector. The light is ON when the +24 V signal is present. Use a PCL, camera, or another binary signal source. For the light RGB mode setup and intensity control, please see the text below.

### LIGHT TRIGGERING MODE

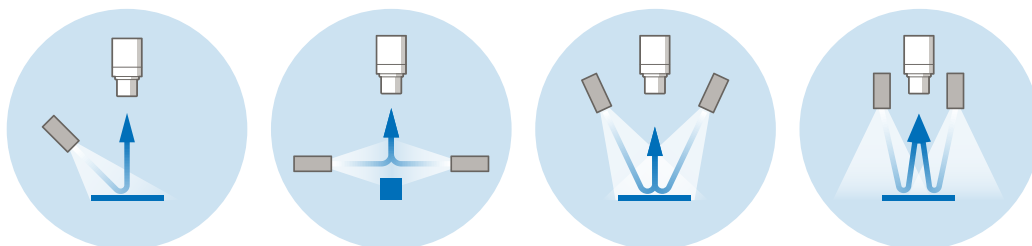
Light triggering mode saves energy and extends the lifetime of the light. Trigger operation mode is recommended when a parallel operation of 2 or more lights might affect the quality of the acquired image. To start using a triggering mode, bring one of the pins number 1, 3 or 4 of the Digital and Analogue Input Connector to +24 V. The light is ON when the +24 V signal is present. Use a PCL, camera, or another binary signal source for triggering. For the light RGB mode setup and intensity control, please see the text below.

### RGB OPERATION MODE SETUP & LIGHT INTENSITY REGULATION

**DIGITAL MODE** - There are 3 "banks" (memories) in the RGB light, which are used to store the desired light output colour. Applying a voltage of +24 V to one of the 3 inputs of the Digital and Analogue Input Connector the pre-saved RGB colour is activated.

**ANALOGUE MODE** - The colour of the output light might be setup by analogue voltage or current in the range of either 0 V to +10 V or 0-20 mA. The colour scheme applies in the range of 0-360° according to the HSI colour space. By applying +24 V to pin number 3 (blue wire) of the Digital and Analogue Input Connector, the light will turn on when the +24 V signal is present.

## WAYS OF USE



\* This type of a light has a source of ultra violet radiation. Avoid direct exposure of eyes and unprotected parts of skin. Install the light in a safe way to avoid accidental or deliberate damage of unprotected human skin by UV light radiation. Mark room/area of use with a warning sign.

## ORDERING CODE

example of the ordering code

SP	-	35	RGB	25
Spot Light	Ø of Active Area	Wavelength	LED Radiation Angle	


## CONFIGURATION

Model	Wavelength [nm]	Ø of Active Area [mm]	LED Radiation Angle [°]
SP-35	625   525   453   white 6740 K	35	10   25

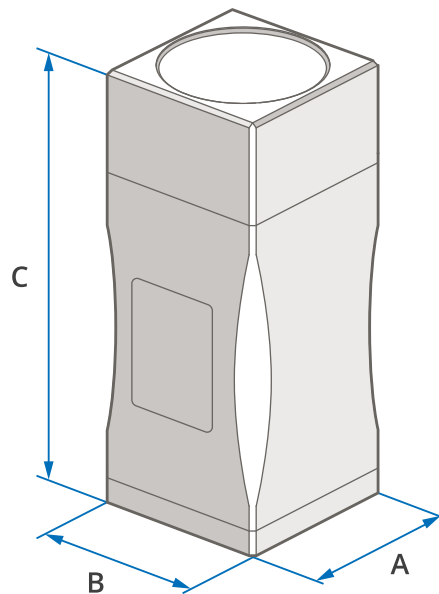
## ELECTRIC PARAMETERS

Model	SP-35
$U_n$ Voltage Span	12-28 V
$U_{jn}$ Nominal Voltage	24 V
$I_{jn}$ Nominal Current	180 mA
$P$ Input	4.1 W
$U_{trig}$ Trigger Voltage	$\geq 10 - 24$ V
$I_{trig}$ Trigger Current	2.3 mA
$U_{EN}$ Analogue Dimming	0 - 10 V / 0 - 20 mA

## DIMENSIONS & WEIGHT

<b>A</b> Length [mm]	40
<b>B</b> Width [mm]	40
<b>C</b> Height [mm]	100
 Weight [g]	240

**i** For more details please see our 2D drawings.



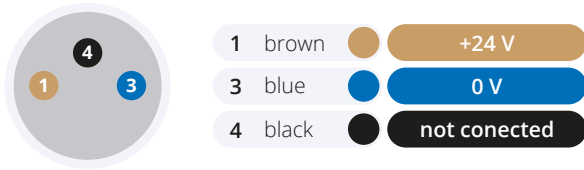
## TECHNICAL DATA

IP Category: <b>IP50</b>	Protection Category: <b>III</b>	Ambient Temperature: <b>(0) - (+40) °C</b>	Isolation Resistance: <b>500 V</b>	Housing Material: <b>Aluminium alloy</b>
--------------------------	---------------------------------	--	------------------------------------	--

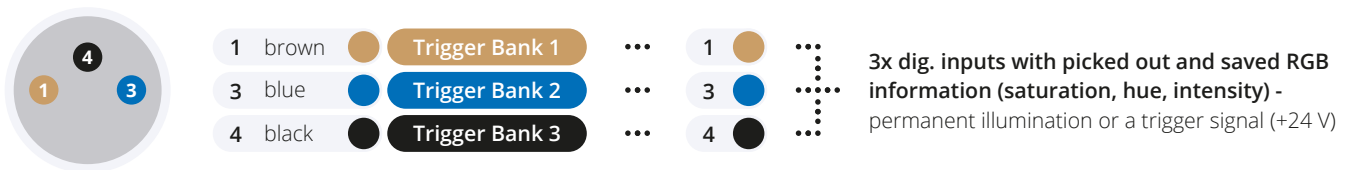
## CONNECTOR M8-3PIN ASSIGNMENT

light connectors front view

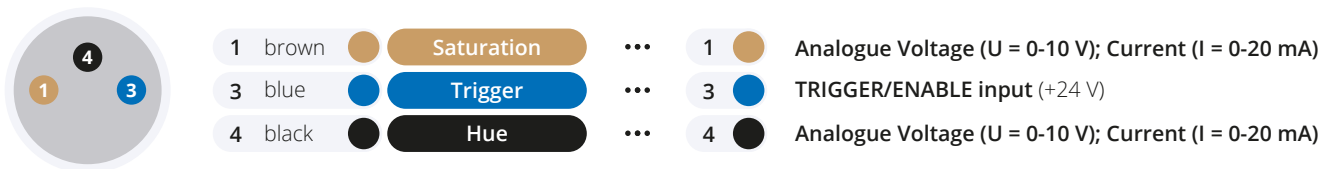
Power Supply Connector



Digital & Analogue Input Connector - **DIGITAL OPERATION MODE**



Digital & Analogue Input Connector - **ANALOGUE OPERATION MODE**



## ACCESSORIES

✓ 2x Straight Cable M8-3PIN (5 m)

## OPTIONAL ACCESSORIES

+ Angular Cable M8-3PIN (5 m)

 SmartView

**YOUR  
VISION  
PARTNER**



**COMPANY  
OFFICE**

Smart View s.r.o.  
Nivy 313  
765 02 Otrokovice  
Česká republika

+420 601 575 797  
+420 602 457 497

info@smartview.cz  
www.smartview.cz

**OUR SALES PARTNERS  
SLOVAKIA**

MTS, spol. s r.o.  
Krivá 53  
027 55 Krivá  
Slovensko

+421 43 5819 111

mts@mts.sk  
www.mts.sk