

ZOOM SPOT LIGHT

SP-25-ZOOM

Spot light with adjustable illumination flux angle. Universal illumination for the majority of your applications.



INTEGRATED STROBE FUNCTION

ADJUSTABLE ILLUMINATION FLUX ANGLE

INTEGRATED INTERN LIGHT INTENSITY REGULATION

LIGHT OPERATING MODES

PERMANENT ILLUMINATION MODE

This light is designed for both the permanent and light-triggering mode. For permanent illumination bring the voltage of 12-24 V to the pin number 4 (black wire). The light is ON during the time when the 24 V EN signal is activated. Use a PCL, camera or another binary signal source. For the light intensity control, please see the text below.

LIGHT TRIGGERING MODE

Light triggering mode saves energy and extends the lifetime of the light. Trigger operation mode is recommended when a parallel operation of 2 or more lights might affect the quality of the acquired image. To start using a triggering mode, bring the pin number 4 (black wire) to a 12-24 V signal. The light is ON when a voltage signal is present at pin number 4 then. Use a PCL, camera, or another binary signal source for triggering. For the light intensity control, please see the text below.

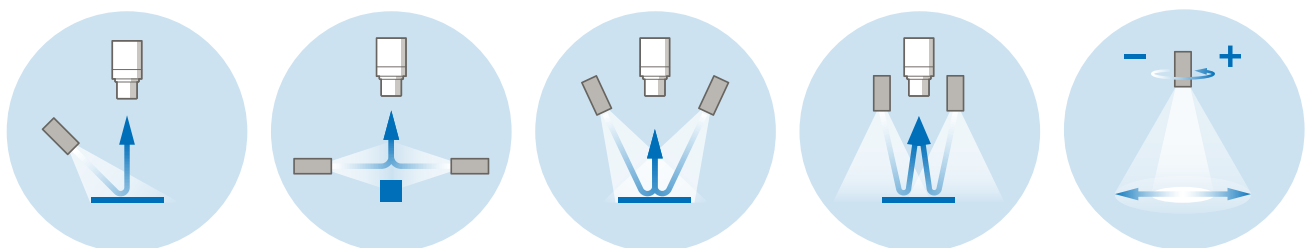
STROBE MODE

Strobe function significantly multiplies the maximum intensity of the light. The strobing function saves energy, extends the light lifetime and in many cases improves the stability of the entire inspections system. Pin number 2 (white wire) of the M8 connector is used to activate the strobe function. The maximum strobe pulse time is 470 ms, while the light idle time must be at least 3 times longer. Please do not use a trigger mode during strobing function, do not bring a voltage to the pin number 4.

LIGHT SOURCE INTENSITY REGULATION

The light intensity might be regulated by an internal trimmer, PWM signal or an external controller. The maximum PWM frequency is $\leq 40 \text{ kHz}$.

WAYS OF USE



ORDERING CODE

example of the ordering code

SP - 25 B - ZOOM
 Spot Light Ø of Active Area Wavelength LED Beam Angle

CONFIGURATION

Model	Wavelength [nm]	Ø of Active Area [mm]	LED Beam Angle [°]
SP-25W	CTR 5000 k	25	14 - 46
SP-25HIR	940	25	14 - 46
SP-25IR	850	25	14 - 46
SP-25HR	660	25	14 - 46
SP-25R	625	25	14 - 46
SP-25G	525	25	14 - 46
SP-25B	470	25	14 - 46
SP-25DB	450	25	14 - 46


ELECTRIC PARAMETERS

Model	SP-25W	SP-25HIR	SP-25IR	SP-25HR	SP-25R	SP-25G	SP-25B	SP-25DB
U_n	12-28 V	12-28 V	12-28 V	12-28 V	12-28 V	12-28 V	12-28 V	12-28 V
U_{jm}	24 V	24 V	24 V	24 V	24 V	24 V	24 V	24 V
I_{jm}	150 mA	150 mA	150 mA	150 mA	150 mA	150 mA	150 mA	150 mA
P	3.6 W	3.6 W	3.6 W	3.6 W	3.6 W	3.6 W	3.6 W	3.4 W

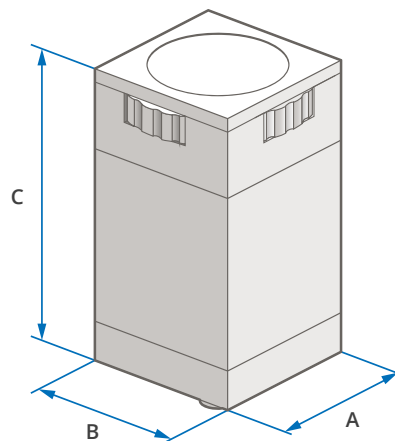
U_{trig}	Trigger Voltage	≥ 10 - 24 V ²	I_{trig}	Trigger Current	2.3 mA ²	I_{EN}	PWM Dimming	> 10 V .. ≤ 24 V ¹
U_{str}	Strobe Voltage	3 - 24 V ³	I_{str}	Strobe Current	1.9 mA ³			

¹ PWM maximal rate is ≤ 40 kHz ² EN (Enable) trigger signal values, M8 connector - pin number 4 ³ Driving voltage and current M8 connector - pin number 2

DIMENSIONS & WEIGHT

A	Length [mm]	32
B	Width [mm]	32
C	Height [mm]	57
	Weight [g]	153

i For more details please see our 2D drawings.

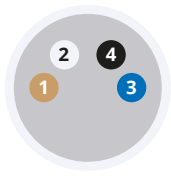


TECHNICAL DATA

IP Category: IP50	Protection Category: III	Ambient Temperature: -20 - +40 °C	Isolation Resistance: 500 V	Housing Material: Aluminium alloy
--------------------------	---------------------------------	--	------------------------------------	--

CONNECTOR M8-4PIN ASSIGNMENT

light connector front view



1	Brown	+	+24 V
2	White		EN
3	Blue	-	0 V
4	Black		EN

...

2 ENABLE - strobe mode (+24 V)

...

4 ENABLE

- A permanent lighting or trigger signal (12-24 V)
- B intensity regulation: PWM \leq 40 kHz
- C light intensity regulation: internal trimmer

ACCESSORIES

✓ Straight Cable M8-4PIN (5 m)


OPTIONAL ACCESSORIES

+ Angular Cable M8-4PIN (5 m)

+ Controller **Smart Light CT-SL4D**

+ Controller **CM-01**

+ Light Polarization (M25.5)

 SmartView

**YOUR
VISION
PARTNER**



COMPANY OFFICE

Smart View s.r.o.
Nivy 313
765 02 Otrokovice
Česká republika

+420 601 575 797
+420 602 457 497

info@smartview.cz
www.smartview.cz

OUR SALES PARTNERS SLOVAKIA

MTS, spol. s r.o.
Krivá 53
027 55 Krivá
Slovensko

+421 43 5819 111

mts@mts.sk
www.mts.sk